

FIG.1

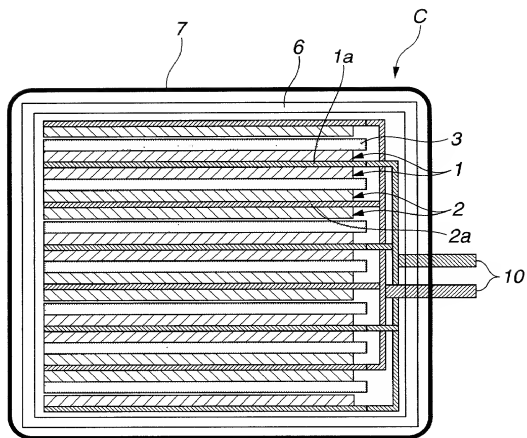


FIG.2

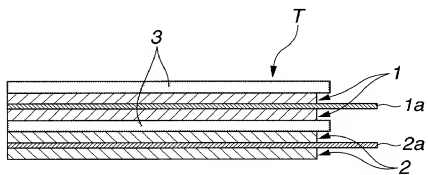
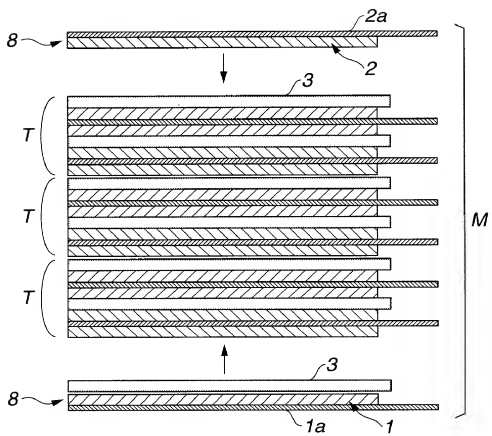


FIG.3



606869750000

FIG.4

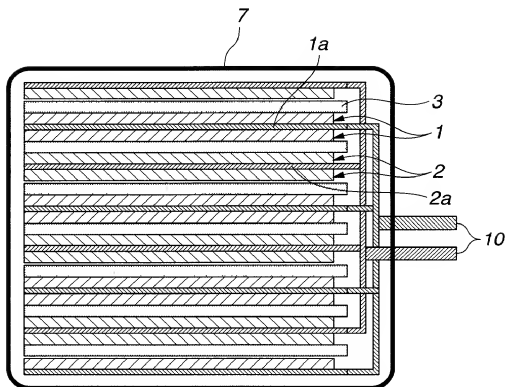
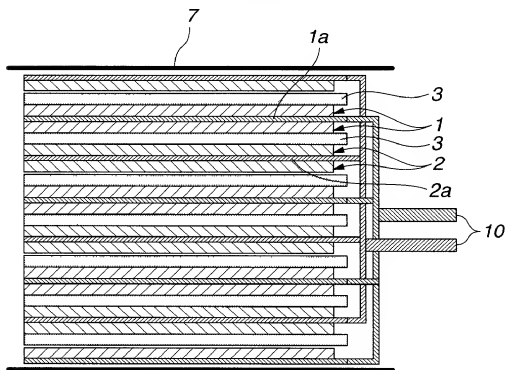


FIG.5



100280-11504660

FIG.6A

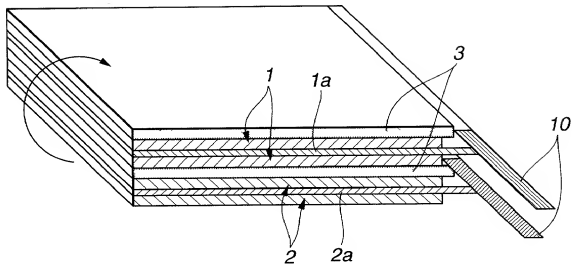
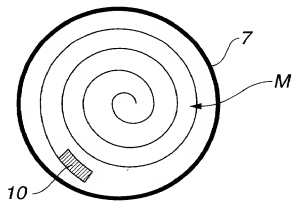


FIG.6B



106280 1450460

FIG.7

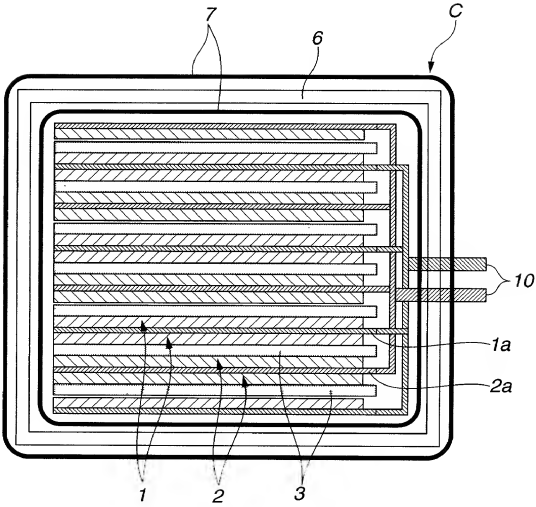


FIG.8

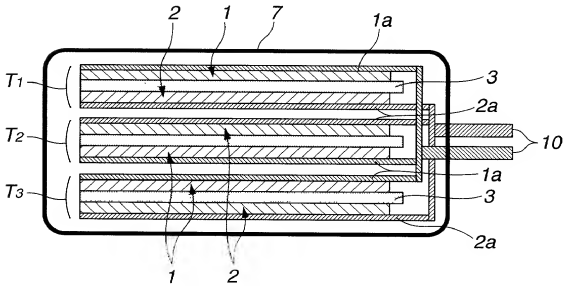


FIG.9

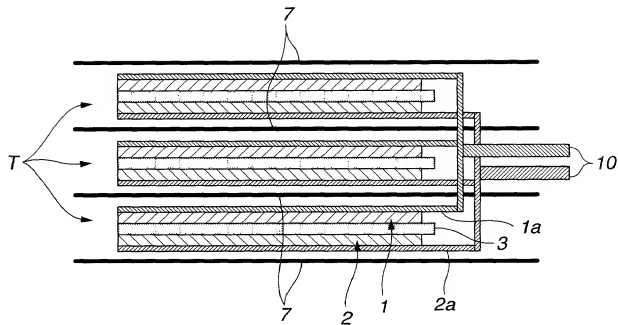
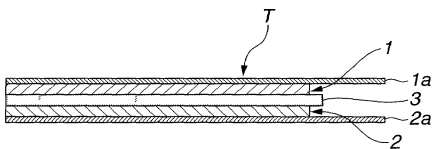


FIG.10



106280-14501650

FIG.11A

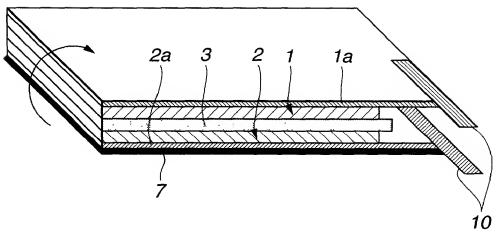


FIG.11B

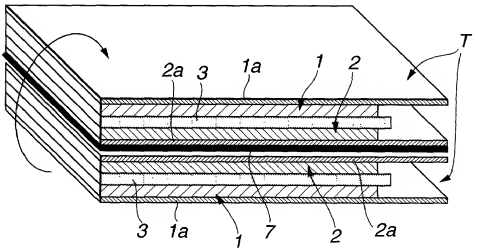


FIG.11C

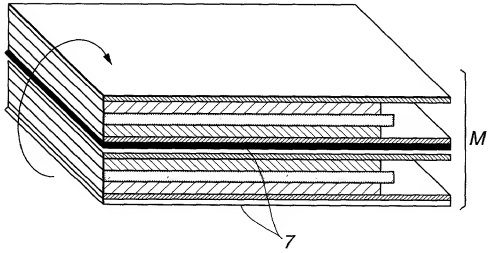
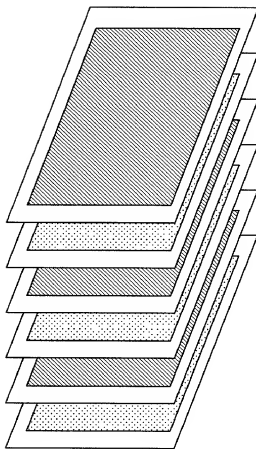




FIG.12



06220 1150466

FIG.13

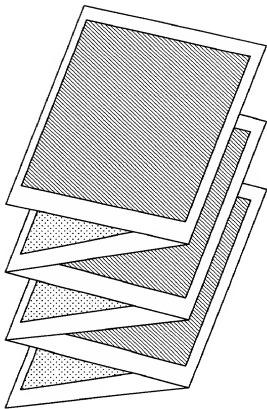
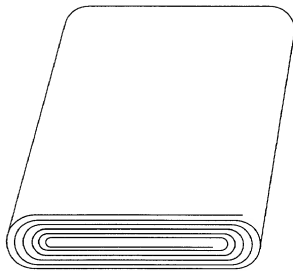
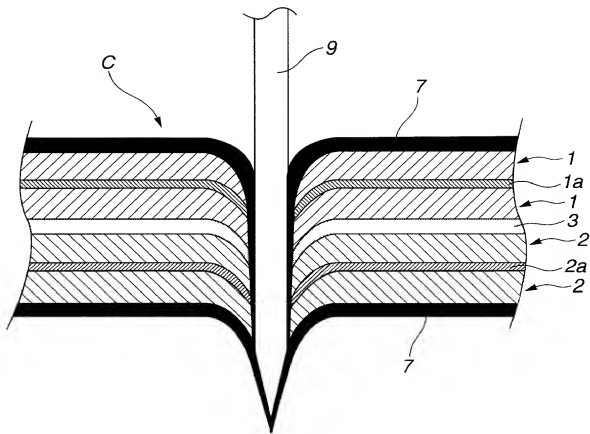


FIG.14



004041-00001

FIG.15



100220*11504600

FIG.16

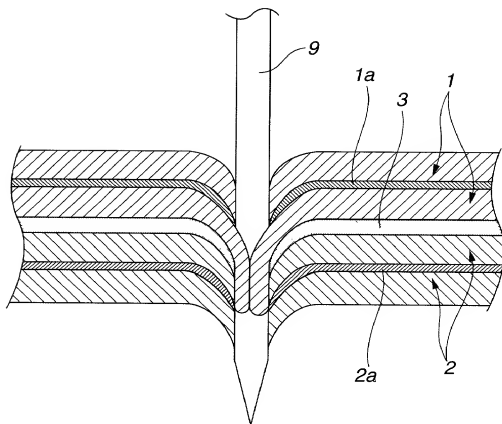


FIG.16